



DOC023.54.03232  
**SOLITAX sc**

**User Manual**

12/2009, Edition 4A



# Table of Contents

---

<b>Section 1 Specifications</b> .....	5
<b>Section 2 General Information</b> .....	7
2.1 Safety Information.....	7
2.1.1 Use of Hazard Information.....	7
2.1.2 Precautionary Labels.....	7
2.2 Sensor Overview.....	8
2.3 Measuring Principle.....	8
2.4 Handling.....	8
<b>Section 3 Installation</b> .....	9
3.1 Unpacking the Instrument.....	9
3.1.1 Function Check.....	9
3.2 Sensor Installation.....	10
3.3 Pipe Installation.....	11
3.4 Connecting sensor cable.....	13
<b>Section 4 Operations</b> .....	15
4.1 Use of an sc controller.....	15
4.2 Sensor Setup.....	15
4.3 Sensor Data Logging.....	15
4.4 Sensor Diagnostics Menu for pH and ORP.....	15
4.5 Sensor Setup Menu.....	15
4.6 Calibration.....	16
4.6.1 Setting the Outmode.....	17
4.6.2 Calibration for Turbidity.....	17
4.6.2.1 Calculating the Factor.....	17
4.6.3 Calibration for Suspended Solids.....	18
4.6.3.1 For Single Point (Factor) Calibration.....	18
4.6.3.2 Multi-point Calibration.....	18
<b>Section 5 Maintenance</b> .....	19
5.1 Maintenance Schedule.....	19
5.2 Cleaning the Sensor Measuring Windows.....	19
5.3 Replacing the Wiper.....	20
<b>Section 6 Troubleshooting</b> .....	21
6.1 Error Codes.....	21
6.2 Warnings.....	21
<b>Section 7 Replacement Parts and Accessories</b> .....	23
7.1 Immersion Sensors.....	23
7.2 Insertion Sensors.....	23
7.3 Replacement Parts.....	23
<b>Section 8 Contact Information</b> .....	25
<b>Section 9 Limited warranty</b> .....	27
<b>Appendix A Modbus Register Information</b> .....	29



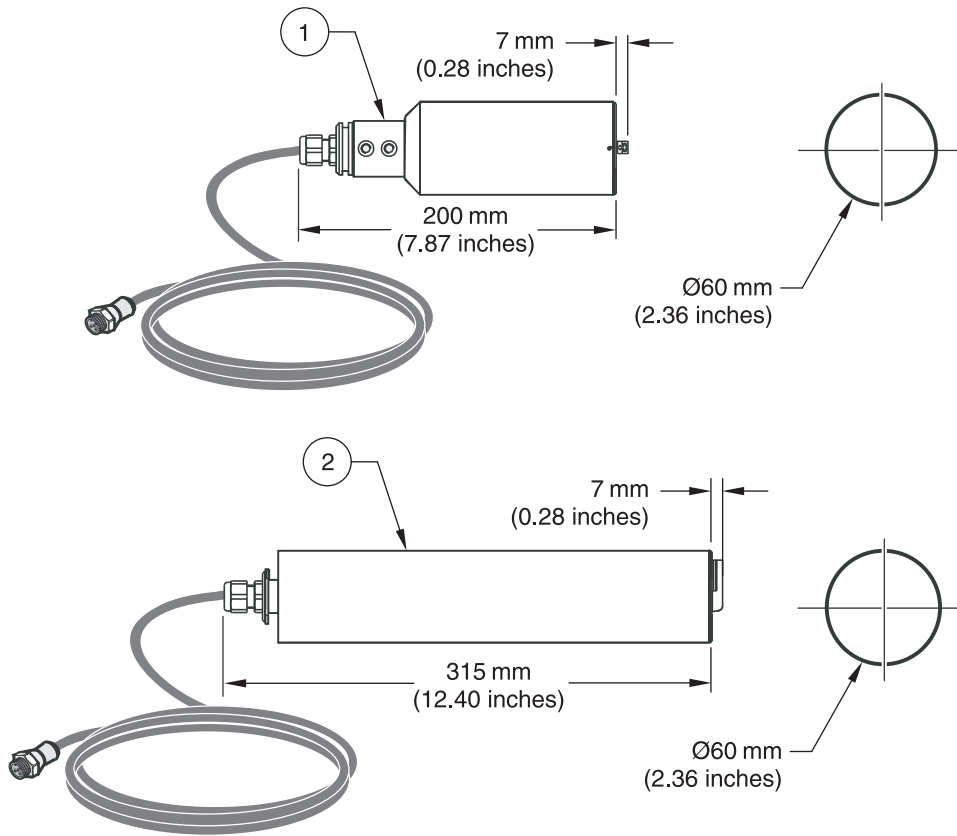
# Section 1 Specifications

Specifications are subject to change without notice.

<b>Measuring Technique</b>	Infrared Duo scattered light technique for color-independent turbidity measurement Turbidity in accordance with DIN EN 27027 / TS equivalent DIN 38414
<b>Measuring Range</b>	t-line turbidity: 0.001–4000 FNU/NTU ts-line, inline turbidity: 0.001–4000 FNU/NTU; TSS content: 0.001 mg/L–50 g/L hs-line, highline turbidity: 0.001–4000 FNU/NTU; TSS content: 0.001 mg/L–500 g/L TSS
<b>Reproducibility</b>	Turbidity < 1 %, Total Suspended Solids (TSS) < 3 %
<b>Measuring Accuracy</b>	Turbidity up to 1000 FNU/NTU: without calibration < 5 % of the measured value ± 0.01 FNU/NTU with calibration < 1 % of the measured value ± 0.01 FNU/NTU
<b>Technique variation coefficient</b>	1 % in accordance with DIN 38402
<b>Response Time</b>	1 s ≤ T90 ≤ 300 s (adjustable)
<b>Calibration</b>	Zero point permanently set from the factory, gradient once for the TS content
<b>Cable Length</b>	10 m (33 ft), max. 100 m (328 ft) with extension cable
<b>Ambient Temperature</b>	0 to +40 °C (32 to 104 °F)
<b>Pressure Range</b>	Stainless steel: ≤ 6 bar or ≤ 60 m (87 psi) PVC: ≤ 1 bar or ≤ 10 m (14,5 psi)
<b>Flow Velocity</b>	Max. 3 m/s (the presence of air bubbles affects the measurement)
<b>Materials</b>	Optics carrier and sleeve: stainless steel 1.4571 or PVC black
	Wiper shaft: stainless steel 1.4104
	Wiper arm: stainless steel 1.4581
	Wiper rubber: silicone rubber (standard) Optional: Viton <sup>1</sup> (LZX578)
	Windows and light guide: quartz glass
	O-rings (optics carrier, wiper, windows): NBR (acrylonitrile butadiene rubber)
	Housing seals: NBR 70
	Sensor connecting cable (hard-wired): 1 cable pair AWG 22 / 12 V DC twisted, 1 cable pair AWG 24 / data twisted, common cable screen, Semoflex (PUR)
	Sensor connection plug (hard-wired): type M12 enclosure rating IP 67
Threaded cable fitting: stainless steel 1.4305	
<b>Inspection interval</b>	On request 1/year service contract with guarantee extension to 5 years
<b>Dimensions</b>	Tank probe: D x L 60 mm x 200 mm (2 x 8 in.) Probe for pipe installation: D x L 60 mm x 315 mm (2 x 12.4 in.) (Pipe installation fitting: DN 65 / PN 16 DIN 2633; < 5 bar (73 psi); for pipes from DN 80) Distance sensor - wall (floor): TS > 10 cm (4 in.), turbidity > 50 cm (20 in.)
<b>Weight</b>	Tank probe: approx. 1.8 kg (63 oz) (t-line: approx. 0.6 kg (21 oz)) Probe for pipe installation: approx. 2.4 kg (85 oz) Pipe installation fitting: approx. 2.7 kg (95 oz) (without probe) Pipe installation safety fitting: approx. 18 kg (40 lb) (without probe)
<b>User Maintenance</b>	1 h / month, typical
<b>Certifications</b>	CE

<sup>1</sup> Viton® is a registered trademark of E.I. DuPont de Nemours + Co.

**Figure 1**      **Sensor Dimensions**



- |  |
|--|
| <b>1.</b> SOLITAX sc models t-line, ts-line, and hs-line for immersion in open tanks |
| <b>2.</b> SOLITAX sc models inline and highline sensors for insertion in pipes       |

# Section 2 General Information

## 2.1 Safety Information

Please read this entire manual before unpacking, setting up, or operating this equipment. Pay attention to all danger and caution statements. Failure to do so could result in serious injury to the operator or damage to the equipment.

Make sure that the protection provided by this equipment is not impaired, do not use or install this equipment in any manner other than that specified in this manual.

### 2.1.1 Use of Hazard Information



**DANGER**

*Indicates a potentially or imminently hazardous situation which, if not avoided, will result in death or serious injury.*



**CAUTION**

*Indicates a potentially hazardous situation that may result in minor or moderate injury.*

**Important Note:** Information that requires special emphasis.

**Note:** Information that supplements points in the main text.

### 2.1.2 Precautionary Labels

Read all labels and tags attached to the instrument. Personal injury or damage to the instrument could occur if not observed

	This symbol, if noted on the instrument, references the instruction manual for operation and/or safety information.
	This symbol indicates that a risk of electrical shock and/or electrocution exists.
	Electrical equipment marked with this symbol may not be disposed of in European public disposal systems after 12 August of 2005. In conformity with European local and national regulations (EU Directive 2002/96/EC), European electrical equipment users must now return old or end-of life equipment to the Producer for disposal at no charge to the user. <b>Note:</b> For return for recycling, please contact the equipment producer or supplier for instructions on how to return end-of-life equipment, producer-supplied electrical accessories, and all auxiliary items for proper disposal.

### 2.2 Sensor Overview

*Note: All sensors are also available without wipers for special applications.*

**t-line: 0.001–4000 FNU/NTU**

High-resolution turbidity probe made of plastic for the outlets of sewage treatment plants and bodies of water.

**ts-line: 0.001–4000 FNU/NTU; 0.001 mg/L–50.0 g/L**

High-precision turbidity and solids probe made of stainless steel or plastic for color-independent measurement of fine turbidities and sludges.

**hs-line: 0.001–4000 FNU/NTU; 0.001 mg/L–500.0 g/L**

High-precision turbidity and solids probe made of stainless steel or plastic for color-independent measurement of highly concentrated sludges.

**inline: 0.001–4000 FNU/NTU; 0.001 mg/L–50.0 g/L**

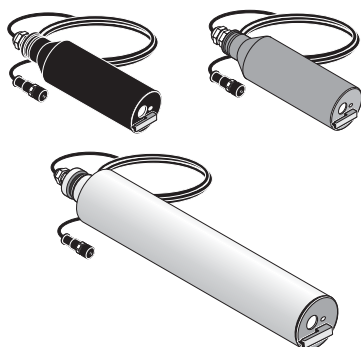
High-precision pipe installation probe for turbidity and solids made of stainless steel for color-independent measurement of fine turbidities and sludges.

**highline: 0.001–4000 FNU/NTU; 0.001 mg/L–500.0 g/L**

High-precision pipe installation probe for turbidity and suspended solids made of stainless steel for color-independent measurement of highly concentrated sludges.

---

**Figure 2 Solitax sc Sensors**



### 2.3 Measuring Principle

The measuring principle is based on a combined infrared absorption scattered light technique that measures the lowest turbidity values in accordance with DIN EN 27027 just as precisely and continuously as high sludge content. Using this method, the light scattered sideways by the turbidity particles is measured over an angle of 90°.

### 2.4 Handling

The sensor contains high-quality optical and electronic assemblies. Make sure the sensor is not subjected to any hard mechanical knocks. There are no customer-serviceable items inside the sensor.



## Section 3 Installation

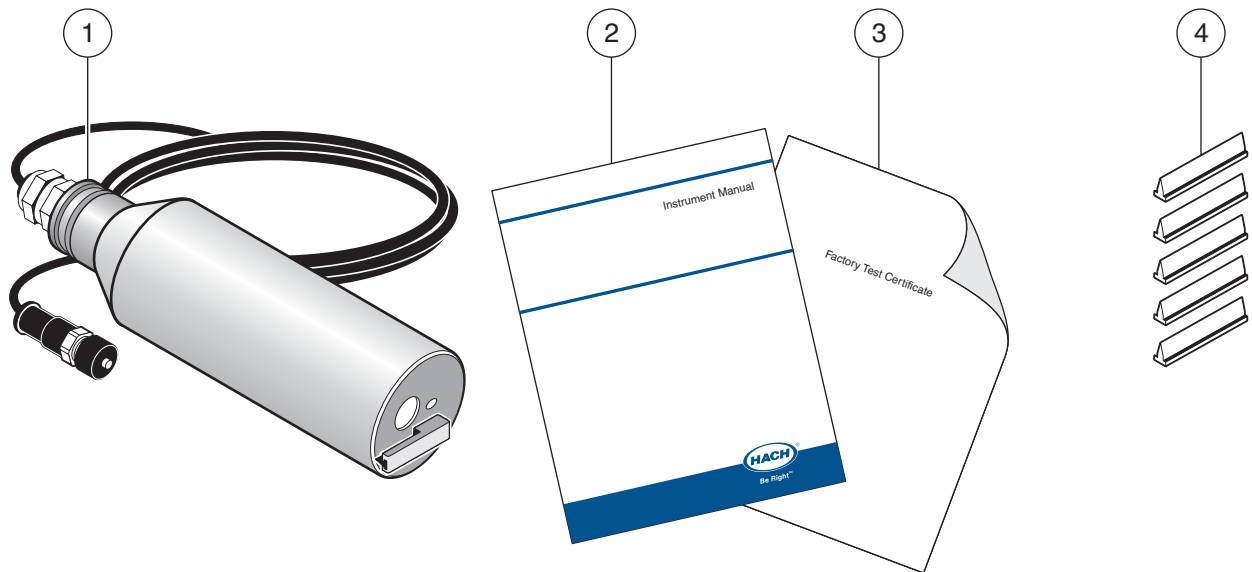


### **DANGER**

*Only qualified personnel should conduct the tasks described in this section of the manual.*

### 3.1 Unpacking the Instrument

Figure 3 Items Supplied with Sensor



1. SOLITAX sc Sensor	3. Factory Test Certificate
2. User Manual	4. Wiper Set (for 5 changes) LZX050

#### 3.1.1 Function Check

After unpacking, both components should be checked for any transport damage and a short function check performed prior to installation.

To perform a function check, connect the sensor to the display unit and power the unit. Shortly after the unit is plugged in, the display is activated and the instrument switches to the measurement display. Measured values taken in air is meaningless.

If no messages appear in the lower part of the display, the function check is then complete.

## 3.2 Sensor Installation

Figure 4 on page 10 illustrates the installation overview for Solitax sc Models t-line, ts-line, and hs-line for immersion in open tanks.

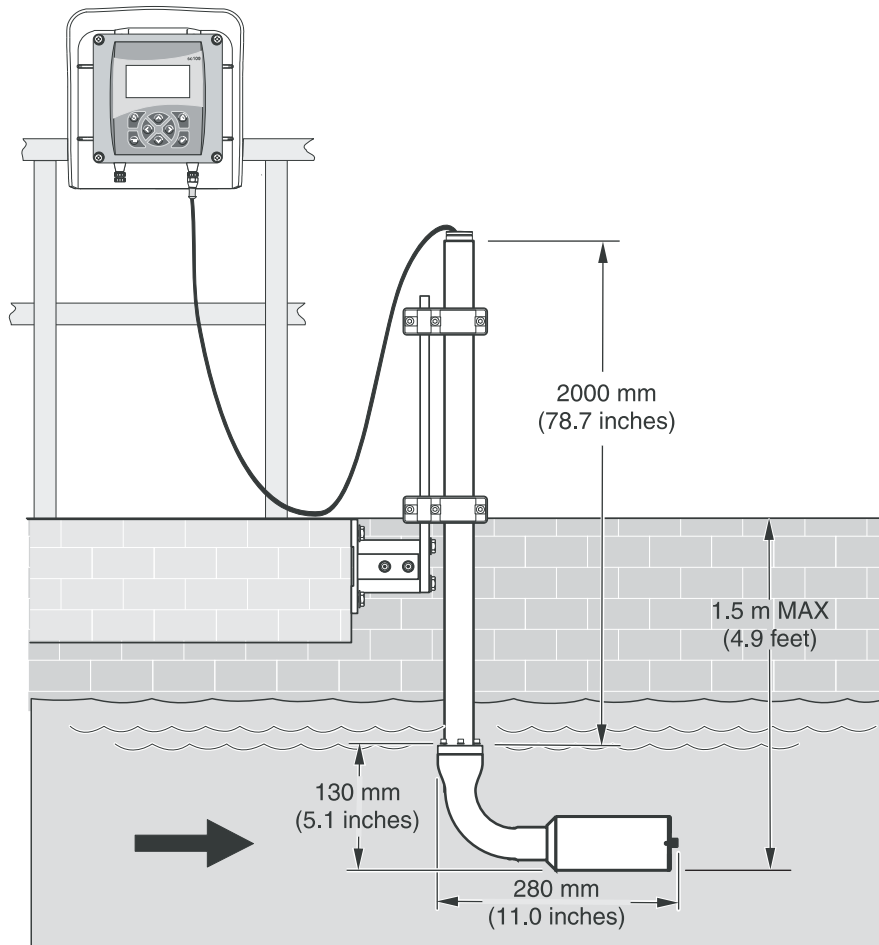
The maximum distance from the mounting surface to the sensor without the use of an extension tube is 1.5 m (4.9 ft). When that distance exceeds 1.5 m (4.9 ft), one of the following extension tubes is required and can be ordered separately:

- 1.0 m (3.28 ft) extension pipe LZY413
- 1.8 m (5.90 ft) extension pipe LZY414

To ensure a suitable measuring position, install the probe to the following conditions:

- The probe optical window must have a ground clearance of at least 30 cm (11.8 in.).
- Install the probe with the optical window facing (downstream) in the direction of the flow to minimize the risk of fouling.
- Avoid installation sites where air bubbles are inconsistent. If this not possible, try moving the probe slightly or adjusting its alignment to minimize the bubble effect.
- Protect the probe against the oncoming flow of large objects, such as branches or ice and against flow surges.
- Avoid installing the probe with the optical window facing into direct light or facing a highly-reflective surface.

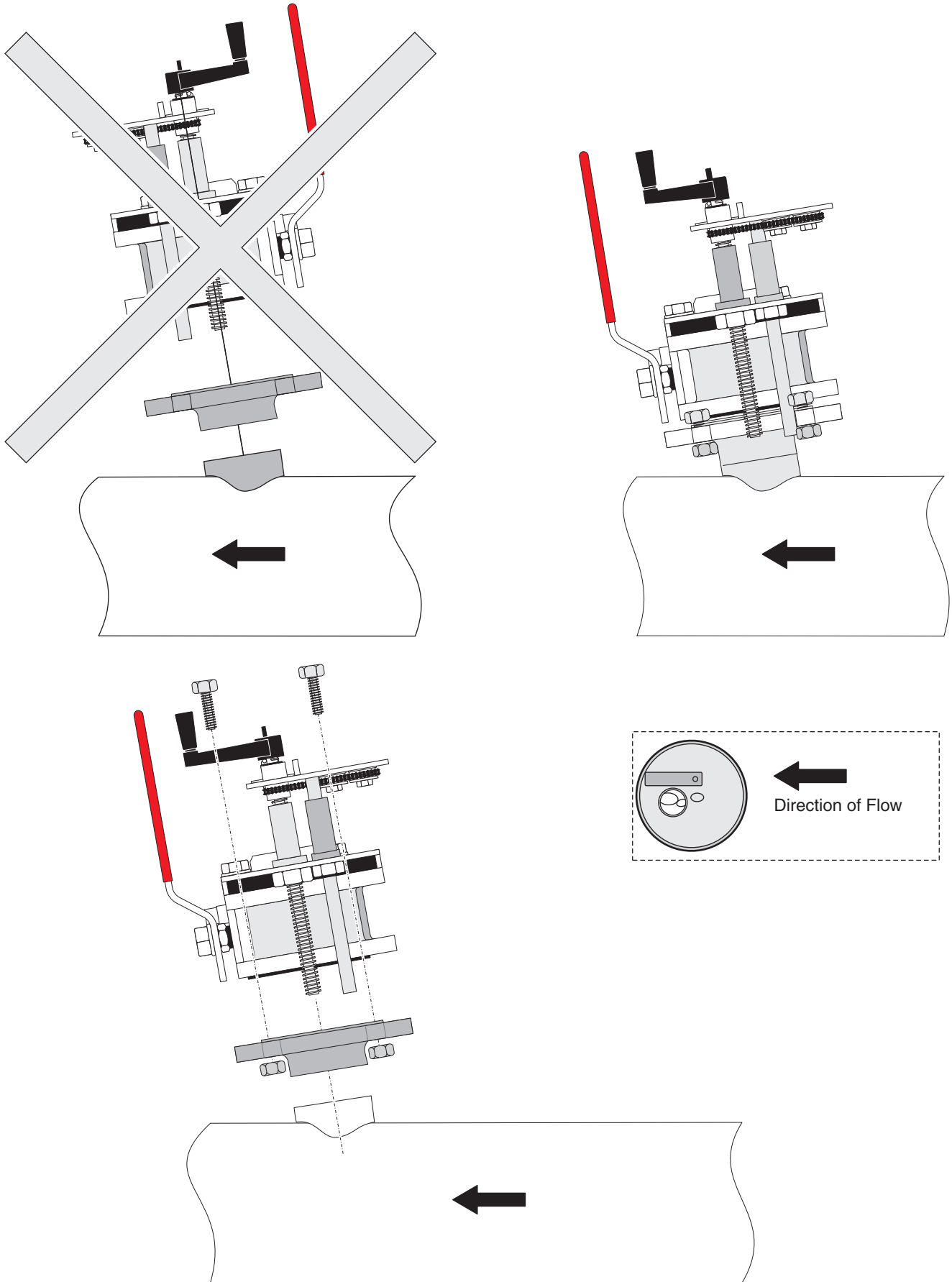
**Figure 4** Sensor Installation Overview



### 3.3 Pipe Installation

- Install the sensor in an up-flow pipe section for best results. Do not mount the sensor in a down-flow pipe section.
- Mounting in a horizontal pipe section is acceptable if the sensor is fully immersed at all times. Usually, mounting 90 degrees from the top of the pipe guarantees full immersion. Do not mount on the top or bottom of a horizontal pipe section.
- Install the sensor in a pipe that is equal to or greater than 4 inches in diameter.
- Install the sensor at least 1.5 m (5 ft.) or three times the pipe diameter (whichever is greater) downstream of pumps, valves, or pipe elbows.
- Install the sensor on the discharge side of a pump, if possible, with a dilution or flush valve installed on the suction side of the pump.
- If the sensor is to be used to measure sludge with significant amounts of debris, install it after a sludge grinding pump or after a pump with a grinding/comminuting unit in front of it.
- Install the sensor within 7.8 m (25 ft.) of the controller with the standard probe cable. Optional cable extensions can be added for a maximum combined distance of 100 meters (330 ft.).
- If the flange cannot be welded to the pipe due to incompatibility of materials between the stud and the pipe, it is recommended that a stainless steel pipe section be fabricated. Weld the flange onto the stainless steel pipe section and attach the stainless steel section as a segment of the process pipe.

**Figure 5** Proper Positioning for Insertion into Pipe



### 3.4 Connecting sensor cable



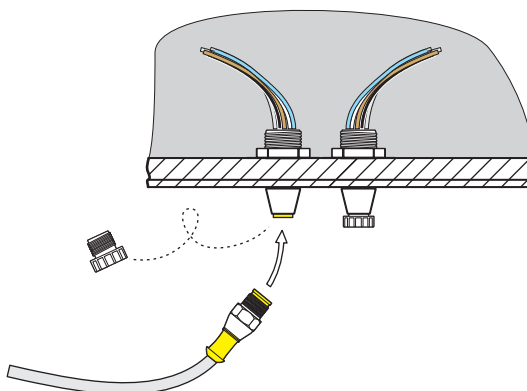
**CAUTION**

*Always lay cables and hoses so they do not pose a trip hazard and are not bent.*

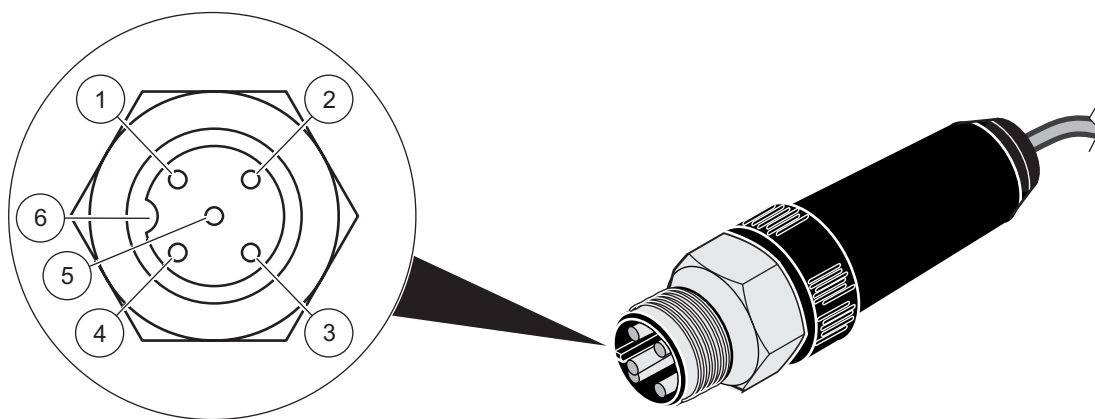
1. Unscrew the protective cap on the controller socket and retain it.
2. Pay attention to the guide in the plug and push the plug into the socket.
3. Tighten the nuts.

Connector cables are available in various lengths (refer to [Section 7 Replacement Parts and Accessories on page 23](#)). Maximum overall cable length: 50 m (165 ft).

**Figure 6 Connection of the sensor plug to the controller**



**Figure 7 Sensor connector pin assignment**



Number	Description	Cable colour (Standard-Cable)
1	+12 VDC	brown
2	Ground	black
3	Data (+)	blue
4	Data (-)	white
5	Screen	Screen (grey)
6	Notch	–



# Section 4 Operations

## 4.1 Use of an sc controller

Before using the sensor in combination with an sc controller, refer to the controller user manual for navigation information.

## 4.2 Sensor Setup

When a sensor is initially installed, the serial number of the sensor will be displayed as the sensor name. To change the sensor name refer to the following instructions:

1. Select Main Menu.
2. From the Main Menu, select SENSOR SETUP and confirm.
3. Highlight the appropriate sensor if more than one sensor is attached and confirm.
4. Select CONFIGURE and confirm.
5. Select EDIT NAME and edit the name. Confirm or cancel to return to the Sensor Setup menu.

## 4.3 Sensor Data Logging

A data memory and event memory per sensor are available via the sc controller. While measured data are saved in the data memory at stipulated intervals, the event memory collects numerous events such as configuration changes, alarms and warning conditions. Both the data memory and the event memory can be read out in CSV format. For information on how you can download the data, please see the controller manual.

## 4.4 Sensor Diagnostics Menu for pH and ORP

SELECT SENSOR (if more than one sensor is attached)

STATUS	
ERROR LIST	See <a href="#">section 6.1 on page 21</a> .
WARNING LIST	See <a href="#">section 6.2 on page 21</a> ..

## 4.5 Sensor Setup Menu

SELECT SENSOR (if more than one sensor is attached)

WIPE	
	Initiates a wiping action on the sensor window.
CALIBRATE	
SET OUTMODE	Select the behavior of the outputs during calibration for zero point setting (Hold, Active, Transfer, Selection). Hold maintains the last reading prior to going into the menu. Active transmits the current level readings, corrected with previous calibration data until new data is entered. Set Transfer transmits the value designated during the system setup
SENSOR MEASURE	Displays the current, uncorrected measured value.
CONFIGURE	Select the calibration type and follow the calibration steps for 2 point, 3 point, 4 point, and 5 point calibration.
FACTOR/2 POINTS/ 3 POINTS/4 POINTS/ 5 POINTS	Display depends on the selection in configuration.
SET CAL DEFAULT	Return the instrument to the default calibration settings.

## 4.5 Sensor Setup Menu (continued)

CONFIGURE	
EDIT NAME	Enter up to a 10-digit name in any combination of symbols and alpha or numeric characters.
SET PARAMETER	This setting configures the Solitax to measure turbidity or suspended solids. The Solitax cannot simultaneously measure both. Choose “TRB” for turbidity measurements, or “TS” for suspended solids measurement. This selection determines which units may be selected in the “Meas Units” menu.
MEAS UNITS	Choose from the displayed units. TRB (FNU, EBC, TE/F, NTU); TS (mg/L, g/L, ppm, %) Default: FNU If TRB was selected in set parameter, select “NTU” (commonly used in the U.S.), FNU, EBC, or TE/F. If TS was selected, choose mg/L, g/L, ppm, or %. Press enter to choose the selection. If the units selected result in a reading that exceeds 4 digits, the display will only show dashes. For example, if mg/L were selected, and the measurement was 10,500 mg/L, the display will show dashes until the reading drops to 9999 or lower.
CLEAN INTERVAL	Select the cleaning interval (1, 5, 15 or 30 minutes; 1, 4, or 12 hours; 1, 3, 7 days) Default: 12 hours This is the interval between wiper cleaning of the sensor window. It is recommended to start with a setting of 30 minutes. This time may be adjusted according to the application. If readings continue to be accurate, try a longer interval. If not, shorten the interval.
RESPONSE TIME	This is a damping function. While the Solitax takes readings continually, it will average them together over the period of the response time. Once the response time has elapsed, the displayed reading, 4-20 outputs, and alarm status are updated. (0 to 300 seconds) Default: 3 seconds
LOGGER INTERVAL	This is the datalog interval, with options from 1–15 minutes. Values logged are the average of the all readings during the previous logging interval. The controller will hold approximately 360 days of readings for one sensor at 15 minute intervals, or 24 days at 1 minute intervals (and proportional in between). Default:10 minutes
SET DEFAULTS	Resets all user-editable options to the factory-defaults.
TEST/MAIN	
PROBE INFO	Displays the sensor type, entered name of the sensor (Default: sensor serial number), the sensor serial number, the software version number, and the sensor driver version number.
PROFILE	Select Profile Counter to display the number of wipes made (from 20000 backwards). Select Reset Config to manually reset the profile counter.
COUNTER	Shows the number of hours or cycles left for operating hours, test/maint, gasket, and the motor.
TEST/MAIN	WIPE—Initiates the wiping action of the wiper.
	SIGNALS—displays the signal outputs for the device.
	OUTPUT MODE—Select the behavior of the instrument outputs (Hold, Active, Transfer, Selection)
	DEFAULT SETUP—Resets all user-editable options to the factory defaults.

## 4.6 Calibration

There are two calibration techniques; depending on whether turbidity or suspended solid is required (refer to [section 4.6.2](#) or [section 4.6.3 on page 18](#)). Before calibration, determine the behavior of the 4–20 outputs and alarm relays while the user is in the CALIBRATE menu (refer to [section 4.6.1](#)).



### 4.6.1 Setting the Outmode

1. From the Main Menu, select SENSOR SETUP and press confirm.
2. Select the appropriate sensor if more than one is attached and confirm.
3. Select CALIBRATE and press confirm.
4. Select SET OUTMODE. Select the available Out Mode (Active, Hold, Transfer) and confirm.

### 4.6.2 Calibration for Turbidity

Turbidity calibration requires the use of a Turbidity Standard Solution. The manufacturer recommends the 800 NTU Turbidity Standard Solution (part of the calibration kit No. 57330-00). A zero-point calibration using deionized water is also recommended.

1. From the Main Menu, select SENSOR SETUP and press confirm.
2. Select the appropriate sensor if more than one is attached and confirm.
3. Select CALIBRATE and press confirm.
4. Select SENSOR MEASURE and confirm.
5. Place the sensor in the calibration cylinder with deionized water, mounting it with the supplied clamp. The tip of the probe should be approximately 1-inch below the surface of the water. Record the reading from the sensor measure display.
6. Select OFFSET. Multiply the reading obtained in step 5 and enter the value.
7. Select SENSOR MEASURE.
8. Rinse the outside of the StablCal® 800 NTU standard with water to remove any dust or debris adhering to the surface of the bottle. Gently invert both StablCal standard bottles a minimum of 50 times. Remove the lid and seal from each bottle. Slowly (to avoid creating bubbles) pour the contents of the bottles into the calibration cylinder. Immediately place the tip of the probe into the positioning bracket in the calibration cylinder. The tip of the probe should be approximately 1-inch below the surface standard. Allow the reading to become stable on the SENSOR MEASURE screen. Record the value (measured value). Calculate the factor. Refer to [section 4.6.2.1](#).
9. Select FACTOR to display the corrected measurement.

#### 4.6.2.1 Calculating the Factor

$$\text{New Factor} = \frac{800 \text{ NTU Standard}}{\text{measured value}}$$

For example, if a sample measures 750 NTU using the sensor and the standard is 800 NTU, the new factor would be calculated as follows:

$$\text{New Factor} = \frac{800 \text{ NTU}}{750 \text{ NTU}} = 1.07$$

## 4.6.3 Calibration for Suspended Solids

Suspended solids calibration requires calibration to the actual sample. This optimizes the compensation for the particle size and shape typical at a measuring site. It is best performed by mounting the sensor as usual for normal measurement, and then grab samples collected and evaluated by laboratory methods. While a single point calibration is usually sufficient to provide accuracy, the SOLITAX does offer the ability to calibrate with up to 5 calibration points.

1. From the Main Menu, select SENSOR SETUP and press confirm.
2. Select the appropriate sensor if more than one is attached and confirm.
3. Select CALIBRATE and press confirm.
4. Select CONFIGURE and confirm.
5. Select the number of points desired for calibration (the unit with linearly interpolate values between calibration points). Select Factor for a single point calibration.
6. Mount the sensor as is during normal operation. Alternatively, place the sensor in the calibration cylinder (or a container with dark, non-reflective walls) 2 inches of clearance from the probe face with the probe face submerged by 1 inch or more.
7. Select SENSOR MEASURE and record the reading.
8. Immediately take a grab sample. Determine the total suspended solids using a gravimetric method such as Method 2540 D in *Standards Methods for the Examination of Water and WasteWater*.
9. Calculate the new factor. Refer to [section 4.6.3.1](#) for single point (Factor) calibration. Refer [section 4.6.3.2 on page 18](#) for multiple point calibrations.
10. Select FACTOR and press confirm. The corrected measurement should be displayed.

### 4.6.3.1 For Single Point (Factor) Calibration

Calculate the new factor:

$$\text{New Factor} = \frac{\text{Determined gravimetric value}}{\text{measured value}}$$

For example, if a sample measures 2.3 g/L using the SS sensor and the gravimetric value was 2.0 g/L, the new factor would be calculated as follows:

$$\text{New Factor} = \frac{2.0 \text{ g/L}}{2.3 \text{ g/L}} = 0.87$$

### 4.6.3.2 Multi-point Calibration

1. Repeat steps 6–8 in [section 4.6.3 on page 18](#) at different times to obtain different measurements.
2. From the CONFIGURE menu, select the appropriate calibration point menu.
3. Enter the pairs of values for each reading, the target value being the laboratory determined value, and the actual value being the reading that the SOLITAX produced in step 5. The pairs should be entered in order from lowest values to highest.

## Section 5 Maintenance

---



### **DANGER**

**Only qualified personnel should conduct the tasks described in this section of the manual.**

Proper maintenance of the measuring windows in the sensor is critical for accurate measurements. The measuring windows should be checked monthly for soiling and the wiper checked for wear.

**Important Note:** *The seals must be replaced every 2 years by the Service Department. If the seals are not changed regularly, water may enter the probe head and seriously damage the instrument.*

### 5.1 Maintenance Schedule

Maintenance Task	Duration
Visual inspection	monthly
Check calibration	monthly <i>(depending on the ambient conditions)</i>
Inspection	six months (counter)
Seal change	every 2 years (counter)
Change wiper and reset counter	as per counter (20000 cycles)

### 5.2 Cleaning the Sensor Measuring Windows



### **CAUTION**

**Always wear**

- **Safety glasses,**
- **Gloves and**
- **Overall**

**handling hydrochloric acid and observe safety regulations.**

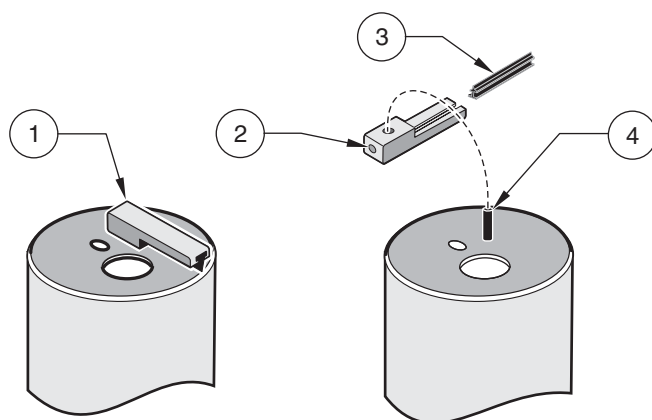
The measuring windows are made of quartz glass. If necessary, they can be cleaned with a cleaning agent and a cloth.

### 5.3 Replacing the Wiper

The life of the wiper is dependent on the number of cleaning actions performed and the type of deposits to be removed. The life of the wiper varies. The wipers supplied with the instrument should last for approximately one year.

1. From the Main Menu, select SENSOR SETUP and press confirm.
2. Select the appropriate sensor if more than one is attached and confirm.
3. Select TEST/MAINT and press confirm.
4. Select PROFILE and confirm. Change the wiper, see [section 5.3 on page 20](#).
5. Select RESET CONFIG and confirm.
6. Select MAN. RESET ARE YOU SURE? and confirm.

Figure 8 Wiper Replacement



1. Wiper arm	3. Wiper
2. M4 hex socket head bolt	4. Wiper axle

# Section 6 Troubleshooting

---

## 6.1 Error Codes

In the case of an error, the indication of the measured value flashes on the display and all the contacts and current outputs allocated to this sensor are placed on hold. The following conditions will result in flashing measured values:

- Data transmission between controller and sensor interrupted

On the Main menu open the SENSOR DIAG menu using **ENTER** and determine the cause of the fault.

**Table 1 Error Messages**

Error Displayed	Cause	Solution
POS. UNKNOWN	Wiper position unknown	Open the TEST/MAINT menu and trigger the "WIPE" function, if the problem persists contact the manufacturer's customer service
LED FAULTY	Faulty LED	Contact customer service
MOIST	Moisture value > 10	Remove the sensor immediately and store in a dry place, contact customer service
CAL. DATA	Factory calibration data lost	Contact customer service

## 6.2 Warnings

A warning results in a flashing warning icon on the right of the display, all menus, contacts and outputs remain unaffected and continue to work normally. On the Main menu open the SENSOR DIAG menu using **ENTER** and determine the cause of the warning.

A warning may be used to trigger a relay and users can set warning levels to define the severity of the warning.

**Table 2 Warnings**

Warning Displayed	Cause	Solution
WARNING	Cause	Action
REPLACE WIPER	Counter elapsed	Replace wiper, reset counter
TEST/MAINT	Counter elapsed	Contact customer service
GASKET	Counter elapsed	Contact customer service



# Section 7 Replacement Parts and Accessories

## 7.1 Immersion Sensors<sup>1</sup>

Description	Catalog Number
Turbidity, t-line sc, PVC with wiper (0.001 to 4000 NTU)	LXV423.99.10000
Turbidity, t-line sc, PVC without wiper (0.001 to 4000 NTU)	LXV423.99.12000
Turbidity and Suspended Solids, ts-line sc, PVC with wiper (0.001 to 4000 NTU, 0.001 mg/L to 50 g/L)	LXV423.99.10100
Turbidity and Suspended Solids, ts-line sc, PVC without wiper (0.001 to 4000 NTU, 0.001 mg/L to 50 g/L)	LXV423.99.12100
Turbidity and Suspended Solids, ts-line sc, stainless steel with wiper (0.001 to 4000 NTU, 0.001 mg/L to 50 g/L)	LXV423.99.00100
Turbidity and Suspended Solids, ts-line sc, stainless steel without wiper (0.001 to 4000 NTU, 0.001 mg/L to 50 g/L)	LXV423.99.02100
Turbidity and Suspended Solids, hs-line sc, PVC with wiper (0.001 to 4000 NTU, 0.001 mg/L to 500 g/L)	LXV423.99.10200
Turbidity and Suspended Solids, hs-line sc, PVC without wiper (0.001 to 4000 NTU, 0.001 mg/L to 500 g/L)	LXV423.99.12200
Turbidity and Suspended Solids, hs-line sc, stainless steel with wiper (0.001 to 4000 NTU, 0.001 mg/L to 500 g/L)	LXV423.99.00200
Turbidity and Suspended Solids, hs-line sc, stainless steel without wiper (0.001 to 4000 NTU, 0.001 mg/L to 500 g/L)	LXV423.99.02200

<sup>1</sup> All sensors come with the sensor, replacement wipers, and manual.

## 7.2 Insertion Sensors<sup>1</sup>

Description	Catalog Number
Turbidity and Suspended Solids, inline sc, stainless steel with wiper (0.001 to 4000 NTU, 0.001 mg/L to 50 g/L)	LXV424.99.00100
Turbidity and Suspended Solids, inline sc, stainless steel without wiper (0.001 to 4000 NTU, 0.001 mg/L to 50 g/L)	LXV424.99.02100
Turbidity and Suspended Solids, highline sc, stainless steel with wiper (0.001 to 4000 NTU, 0.001 mg/L to 500 g/L)	LXV424.99.00200
Turbidity and Suspended Solids, highline sc, stainless steel without wiper (0.001 to 4000 NTU, 0.001 mg/L to 500 g/L)	LXV424.99.02200

<sup>1</sup> All sensors come with the sensor, replacement wipers, and manual.

## 7.3 Replacement Parts

Description	Catalog Number
Set of wipers (for 5 changes) made of silicone for normal applications	LZX050
Set of wipers (for 5 changes) made of Viton for e. g. media containing oil	LZX578
SOLITAX sc User Manual, english	DOC023.54.03232
Extension cable, 5 m (16.4 ft)	LZX848
Extension cable, 10 m (33 ft)	LZX849
Extension cable, 15 m (50 ft)	LZX850
Extension cable, 20 m (65 ft)	LZX851
Extension cable, 30 m (100 ft)	LZX852
Extension cable, 50 m (165 ft)	LZX853

### 7.3 Replacement Parts (continued)

Description	Catalog Number
Extension pipe, 1,0 m (3.28 ft)	LZY413
Extension pipe, 1,8 m (5.90 ft)	LZY414
Installation kit, fixed-point (for t-line, ts-line, and hs-line immersion sensors)	LZX414.00.10000
Consisting of:	
Base	ATS010
Mounting plate	HPL061
Holding clamp (2×)	LZX200
Assembly pipe 2 m	BRO075
HS small parts set	LZX416
Installation kit with straight adapter	LZX414.00.20000
Kit, screws and seals for sensor adapters	LZX417
Miscellaneous hardware for probe installation kit	LZX416
Second fastening point, includes: bracket, sensor pipe stand, sensor pipe stand bracket, screws, and grommet)	LZX456
Sensor fixed-point mounting kit: Sensor pipe bracket	ATS010
Sensor pipe stand bracket	LZX200
L-bracket	ATS011
Adapter, Sensor 90° elbow	AHA034
Ball valve for insertion probes without adapting flange	LZX337
Welded flange made of C-steel for the pipe installation fitting	LZX703
Welded flange made of stainless steel for pipe installation safety fitting	LZX660



# Section 8 Contact Information

---

## **HACH Company World Headquarters**

P.O. Box 389  
Loveland, Colorado  
80539-0389 U.S.A.  
Tel (800) 227-HACH  
(800) -227-4224  
(U.S.A. only)  
Fax (970) 669-2932  
orders@hach.com  
www.hach.com

## **HACH LANGE GMBH**

Willstätterstraße 11  
D-40549 Düsseldorf  
Tel. +49 (0)2 11 52 88-320  
Fax +49 (0)2 11 52 88-210  
info@hach-lange.de  
www.hach-lange.de

## **HACH LANGE**

Rorschacherstrasse 30 a  
CH-9424 Rheineck  
Tel. +41 (0)71 886 91 11  
Fax +41 (0)71 886 91 66  
info@hach-lange.ch  
www.hach-lange.ch

## **HACH LANGE APS**

Åkandevej 21  
DK-2700 Brønshøj  
Tel. +45 36 77 29 11  
Fax +45 36 77 49 11  
info@hach-lange.dk  
www.hach-lange.dk

## **HACH LANGE LDA**

Av. do Forte nº8  
Fracção M  
P-2790-072 Carnaxide  
Tel. +351 214 253 420  
Fax +351 214 253 429  
info@hach-lange.pt  
www.hach-lange.pt

## **HACH LANGE KFT.**

Vöröskereszt utca. 8-10.  
H-1222 Budapest XXII. ker.  
Tel. +36 (06)1 225 7783  
Fax +36 (06)1 225 7784  
info@hach-lange.hu  
www.hach-lange.hu

## **Repair Service in the United States:**

HACH Company  
Ames Service  
100 Dayton Avenue  
Ames, Iowa 50010  
Tel (800) 227-4224  
(U.S.A. only)  
Fax (515) 232-3835

## **HACH LANGE LTD**

Pacific Way  
Salford  
GB-Manchester, M50 1DL  
Tel. +44 (0)161 872 14 87  
Fax +44 (0)161 848 73 24  
info@hach-lange.co.uk  
www.hach-lange.co.uk

## **HACH LANGE FRANCE S.A.S.**

8, mail Barthélémy Thimonnier  
Lognes  
F-77437 Marne-La-Vallée  
cedex 2  
Tél. +33 (0)8 20 20 14 14  
Fax +33 (0)1 69 67 34 99  
info@hach-lange.fr  
www.hach-lange.fr

## **HACH LANGE AB**

Vinthusdsvägen 159A  
SE-128 62 Sköndal  
Tel. +46 (0)8 7 98 05 00  
Fax +46 (0)8 7 98 05 30  
info@hach-lange.se  
www.hach-lange.se

## **HACH LANGE SP.ZO.O.**

ul. Opolska 143 a  
PL-52-013 Wrocław  
Tel. +48 (0)71 342 10-83  
Fax +48 (0)71 342 10-79  
info@hach-lange.pl  
www.hach-lange.pl

## **HACH LANGE S.R.L.**

Str. Căminului nr. 3  
Sector 2  
RO-021741 București  
Tel. +40 (0) 21 205 30 03  
Fax +40 (0) 21 205 30 17  
info@hach-lange.ro  
www.hach-lange.ro

## **Repair Service in Canada:**

Hach Sales & Service  
Canada Ltd.  
1313 Border Street, Unit 34  
Winnipeg, Manitoba  
R3H 0X4  
Tel (800) 665-7635  
(Canada only)  
Tel (204) 632-5598  
Fax (204) 694-5134  
canada@hach.com

## **HACH LANGE LTD**

Unit 1, Chestnut Road  
Western Industrial Estate  
IRL-Dublin 12  
Tel. +353(0)1 46 02 5 22  
Fax +353(0)1 4 50 93 37  
info@hach-lange.ie  
www.hach-lange.ie

## **HACH LANGE SA**

Motstraat 54  
B-2800 Mechelen  
Tél. +32 (0)15 42 35 00  
Fax +32 (0)15 41 61 20  
info@hach-lange.be  
www.hach-lange.be

## **HACH LANGE S.R.L.**

Via Riccione, 14  
I-20156 Milano  
Tel. +39 02 39 23 14-1  
Fax +39 02 39 23 14-39  
info@hach-lange.it  
www.hach-lange.it

## **HACH LANGE S.R.O.**

Lešanská 2a/1176  
CZ-141 00 Praha 4  
Tel. +420 272 12 45 45  
Fax +420 272 12 45 46  
info@hach-lange.cz  
www.hach-lange.cz

## **HACH LANGE**

8, Kr. Sarafov str.  
BG-1164 Sofia  
Tel. +359 (0)2 963 44 54  
Fax +359 (0)2 866 15 26  
info@hach-lange.bg  
www.hach-lange.bg

## **Repair Service in Latin America, the Far East, Indian Subcontinent, Africa, Europe, or the Middle East:**

Hach Company World  
Headquarters,  
P.O. Box 389  
Loveland, Colorado,  
80539-0389 U.S.A.  
Tel +001 (970) 669-3050  
Fax +001 (970) 669-2932  
intl@hach.com

## **HACH LANGE GMBH**

Hütteldorferstr. 299/Top 6  
A-1140 Wien  
Tel. +43 (0)1 9 12 16 92  
Fax +43 (0)1 9 12 16 92-99  
info@hach-lange.at  
www.hach-lange.at

## **DR. LANGE NEDERLAND B.V.**

Laan van Westroijen 2a  
NL-4003 AZ Tiel  
Tel. +31(0)344 63 11 30  
Fax +31(0)344 63 11 50  
info@hach-lange.nl  
www.hach-lange.nl

## **HACH LANGE S.L.U.**

Edif. Arteaga Centrum  
C/Larrauri, 1C- 2ª Pl.  
E-48160 Derio/Vizcaya  
Tel. +34 94 657 33 88  
Fax +34 94 657 33 97  
info@hach-lange.es  
www.hach-lange.es

## **HACH LANGE S.R.O.**

Roľnícka 21  
SK-831 07 Bratislava –  
Vajnory  
Tel. +421 (0)2 4820 9091  
Fax +421 (0)2 4820 9093  
info@hach-lange.sk  
www.hach-lange.sk

## **HACH LANGE SU ANALİZ SİSTEMLERİ LTD.ŞTİ.**

Hilal Mah. 75. Sokak  
Arman Plaza No: 9/A  
TR-06550 Çankaya/ANKARA  
Tel. +90 (0)312 440 98 98  
Fax +90 (0)312 442 11 01  
bilgi@hach-lange.com.tr  
www.hach-lange.com.tr

## Contact Information

---

### **HACH LANGE D.O.O.**

Fajfarjeva 15  
SI-1230 Domžale  
Tel. +386 (0)59 051 000  
Fax +386 (0)59 051 010  
info@hach-lange.si  
www.hach-lange.si

### **HACH LANGE E.Π.E.**

Αυλίδος 27  
GR-115 27 Αθήνα  
Τηλ. +30 210 7777038  
Fax +30 210 7777976  
info@hach-lange.gr  
www.hach-lange.gr

### **HACH LANGE E.P.E.**

27, Avlidos str  
GR-115 27 Athens  
Tel. +30 210 7777038  
Fax +30 210 7777976  
info@hach-lange.gr  
www.hach-lange.gr

### **HACH LANGE D.O.O.**

Ivana Severa bb  
42 000 Varaždin  
Tel. +385 (0) 42 305 086  
Fax +385 (0) 42 305 087  
info@hach-lange.hr  
www.hach-lange.hr

### **HACH LANGE MAROC SARLAU**

Villa 14 – Rue 2 Casa  
Plaisance  
Quartier Racine Extension  
MA-Casablanca 20000  
Tél. +212 (0)522 97 95 75  
Fax +212 (0)522 36 89 34  
info-maroc@hach-lange.com  
www.hach-lange.ma

## Section 9 Limited warranty

---

Hach Company warrants its products to the original purchaser against any defects that are due to faulty material or workmanship for a period of one year from date of shipment unless otherwise noted in the product manual.

In the event that a defect is discovered during the warranty period, Hach Company agrees that, at its option, it will repair or replace the defective product or refund the purchase price excluding original shipping and handling charges. Any product repaired or replaced under this warranty will be warranted only for the remainder of the original product warranty period.

This warranty does not apply to consumable products such as chemical reagents; or consumable components of a product, such as, but not limited to, lamps and tubing.

Contact Hach Company or your distributor to initiate warranty support. Products may not be returned without authorization from Hach Company.

### Limitations

This warranty does not cover:

- Damage caused by acts of God, natural disaster, labor unrest, acts of war (declared or undeclared), terrorism, civil strife or acts of any governmental jurisdiction
- Damage caused by misuse, neglect, accident or improper application or installation
- Damage caused by any repair or attempted repair not authorized by Hach Company
- Any product not used in accordance with the instructions furnished by Hach Company
- Freight charges to return merchandise to Hach Company
- Freight charges on expedited or express shipment of warranted parts or product
- Travel fees associated with on-site warranty repair

This warranty contains the sole express warranty made by Hach Company in connection with its products. All implied warranties, including without limitation, the warranties of merchantability and fitness for a particular purpose, are expressly disclaimed.

Some states within the United States do not allow the disclaimer of implied warranties and if this is true in your state the above limitation may not apply to you. This warranty gives you specific rights, and you may also have other rights that vary from state to state.

This warranty constitutes the final, complete, and exclusive statement of warranty terms and no person is authorized to make any other warranties or representations on behalf of Hach Company.

### Limitation of Remedies

The remedies of repair, replacement or refund of purchase price as stated above are the exclusive remedies for the breach of this warranty. On the basis of strict liability or under any other legal theory, in no event shall Hach Company be liable for any incidental or consequential damages of any kind for breach of warranty or negligence.



# Appendix A Modbus Register Information

**Table 3 Sensor Modbus Registers**

Group Name	Tag Name	Register	Data Type#	Length	R/W	Description
Measurements	TurbidityFNU	40001	Float	2	R	Turbidity FNU
Measurements	TurbidityEBC	40003	Float	2	R	Turbidity EBC
Measurements	SolidsMGL	40005	Float	2	R	Solids mg/L
Measurements	SolidsGL	40007	Float	2	R	Solids g/L
Measurements	SolidsPR	40009	Float	2	R	Solids %
—	Reserved	40011	Unsigned Integer	1	R	Reserved
Base	Parameter	40012	Unsigned Integer	1	R/W	Parameter
Base	UnitTRB	40013	Unsigned Integer	1	R/W	Unit Turbidity
Base	UnitTS	40014	Unsigned Integer	1	R/W	Units Solids
Calibration	OffsetTRB	40015	Float	2	R/W	Turbidity Offset
Calibration	FactorTRB	40017	Float	2	R/W	Turbidity Factor
Calibration	FactorTS	40019	Float	2	R/W	Solids Factor
Data	Wiperstate	40021	Unsigned Integer	1	R/W	Wiper register
Setup	ResponseInterval	40022	Unsigned Integer	1	R/W	Response time
Setup	CleaningInterval	40023	Unsigned Integer	1	R/W	Wiper interval
Setup	LogInterval	40024	Unsigned Integer	1	R/W	Logger interval
Setup	Outputmodekal	40025	Unsigned Integer	1	R/W	Output when calibrate
Setup	Outputmodesrv	40026	Unsigned Integer	1	R/W	Output when service
Setup	Location	40027	String	8	R/W	Edited name
Setup	ProfilCounter	40035	Unsigned Integer	1	R/W	Profi counter
Data	SerienNummer	40036	String	6	R	Serial number
Calibration	DateUserCal	40042	Date	2	R	Date of manufacturing calibration
Calibration	DateUserCalTURB	40044	Date	2	R	Date of calibration turbidity
Calibration	DateUserCalSOLID	40046	Date	2	R	Date of calibration solid
Data	VersionAppl	40048	Float	2	R	Version application
Data	VersionBoot	40050	Float	2	R	Version Bootlader
Data	VersionStruct	40052	Unsigned Integer	1	R	Version structure probedriver
Data	VersionContent	40053	Unsigned Integer	1	R	Version register probedriver
Data	VersionFirmware	40054	Unsigned Integer	1	R	Version firmware probedriver
Data	FormatMinFNU	40055	Float	2	R	Minimum turbidity FNU
Data	FormatMaxFNU	40057	Float	2	R	Maximum turbidity FNU
Data	FormatMinEBC	40059	Float	2	R	Minimum turbidity EBC
Data	FormatMaxEBC	40061	Float	2	R	Maximum turbidity EBC
Data	FormatMinGL	40063	Float	2	R	Minimum solids g/L
Data	FormatMaxGL	40065	Float	2	R	Maximum solids g/L
Data	FormatMinMGL	40067	Float	2	R	Minimum solids mg/L
Data	FormatMaxMGL	40069	Float	2	R	Maximum mg/L
Data	FormatMinPR	40071	Float	2	R	Minimum solids %
Data	FormatMaxPR	40073	Float	2	R	Maximum solids %
Data	SignalsLED	40075	Unsigned Integer	1	R	Signal LED
Data	SignalsMoist	40076	Unsigned Integer	1	R	Signal moist

